



Datasheet

Length measurement system LMSCA32-KIT with encoder WDGN **Configurable via NFC**

www.wachendorff-automation.com/lmsca32-kit

Wachendorff Automation

... systems and encoders

- Complete systems
- Industrial rugged encoders to suit your application
- Standard range and customer versions
- Maximum permissible loads
- 48-hour express production
- Made in Germany
- Worldwide distributor network

Robust length measurement system LMSCA32-KIT with NFC encoder WDGN



Configurable via NFC

- Ultra compact system with spring-loaded arm, incl. via NFC configurable WDGN 36A encoder and 200 mm measuring wheel
- Up to 0.01 mm/impulse for measurement results
- Suitable for many surfaces
- Absorbent mounting
- Contact pressure – easily adaptable by intelligent central adjustment and patented tooth grid
- Easy to dismantle through pre-assembled angle bracket

www.wachendorff-automation.com/lmsca32-kit



Resolution encoder WDGN 36A	
Pulses per revolution ppr	1 ppr up to 16384 ppr free selectable

Calculation example	
$x = 200$ mm circumference measuring wheel, $y =$ ppr encoder, $z =$ mm/pulse	
$x : y = z$ ($y : x =$ pulse/mm)	
Example: 200 mm : 2000 ppr = 0.1 mm/pulse (10 pulses/mm)	

Mechanical Data	
Housing encoder	
Flange	synchro flange
Flange material	aluminium
Housing cap	stainless steel, NFC cover: Thermoplastic polyamide

Shaft(s)	
Shaft material	stainless steel
Starting torque	approx. 0.2 Ncm at ambient temperature
Shaft	Ø 6 mm shaft with flat
Shaft length	L: 11.5 mm
Max. permissible shaft loading radial	80 N
Max. permissible shaft loading axial	50 N

Bearings	
Max. operating speed	12000 rpm

Spring loaded arm	
Adjustable prestressing force	0 N up to 20 N in steps of 5 N
Length of spring lever axis	74.5 mm
Material	aluminum
Contact pressure	adjustable, 3°-step equates 5 N pressure increase

Machinery Directive: basic data safety integrity level	
MTTF _d	1200 a
Mission time (T _m)	20 a
Nominal service life (L _{10h})	1.7 x 10 ¹⁰ revs. at 20 % rated shaft load and 12000 rpm
Diagnostic coverage (DC)	0 %


Electrical Data	
Power supply/ Current consumption	4.75 VDC up to 32 VDC: typ. 80 mA
Pulse frequency	HTL up to 16384 ppr: max. 600 kHz TTL up to 16384 ppr: max. 1 MHz
Channels	ABN and inverted signals
Load	max. 40 mA / channel
Circuit protection	inverse-polarity and short-circuit protection

Accuracy	
Phase offset	90° ± max. 8.5 % of a period duration
pulse-/pause-ratio	50 % ± max. 7 %

via NFC configurable	
Pulses per revolution ppr	1 ppr up to 16384 ppr free selectable
Output circuit	TTL, HTL free selectable

Environmental Data encoder WDGN with NFC	
Noise immunity:	
ESD (DIN EN 61000-4-2):	8 kV
EMC: (DIN EN 61000-4-3):	10 V/m
Burst (DIN EN 61000-4-4):	2 kV
High frequency fields (DIN EN 61000-4-6):	10 V
Surge (DIN EN 61000-4-5):	2 kV
Radio interference:	According DIN EN 55011
NFC:	
EMC:	According ETSI EN 301 489
RED:	According ETSI EN 300 330
Electrical safety:	According DIN EN 61010-1, UL 61010-1, CSA C22.0 No. 61010-1-12
Vibration: (DIN EN 60068-2-6)	300m/s ² (10 Hz up to 2000 Hz)
Shock (DIN EN 60068-2-27):	1000m/s ² (6 ms)
Design:	DIN VDE 0160

General Data	
Weight	approx. 270 g
Connection	Connector radial
Protection rating (EN 60529)	IP67, shaft sealed to IP65
Operating temperature	
LMSxxxKH:	-10 °C up to +70 °C

Range of application measuring wheel U = 200 mm	
	LMSxxxKH: Plastic, painted surfaces, paper, paste-board, wood, metal, textiles. (even)

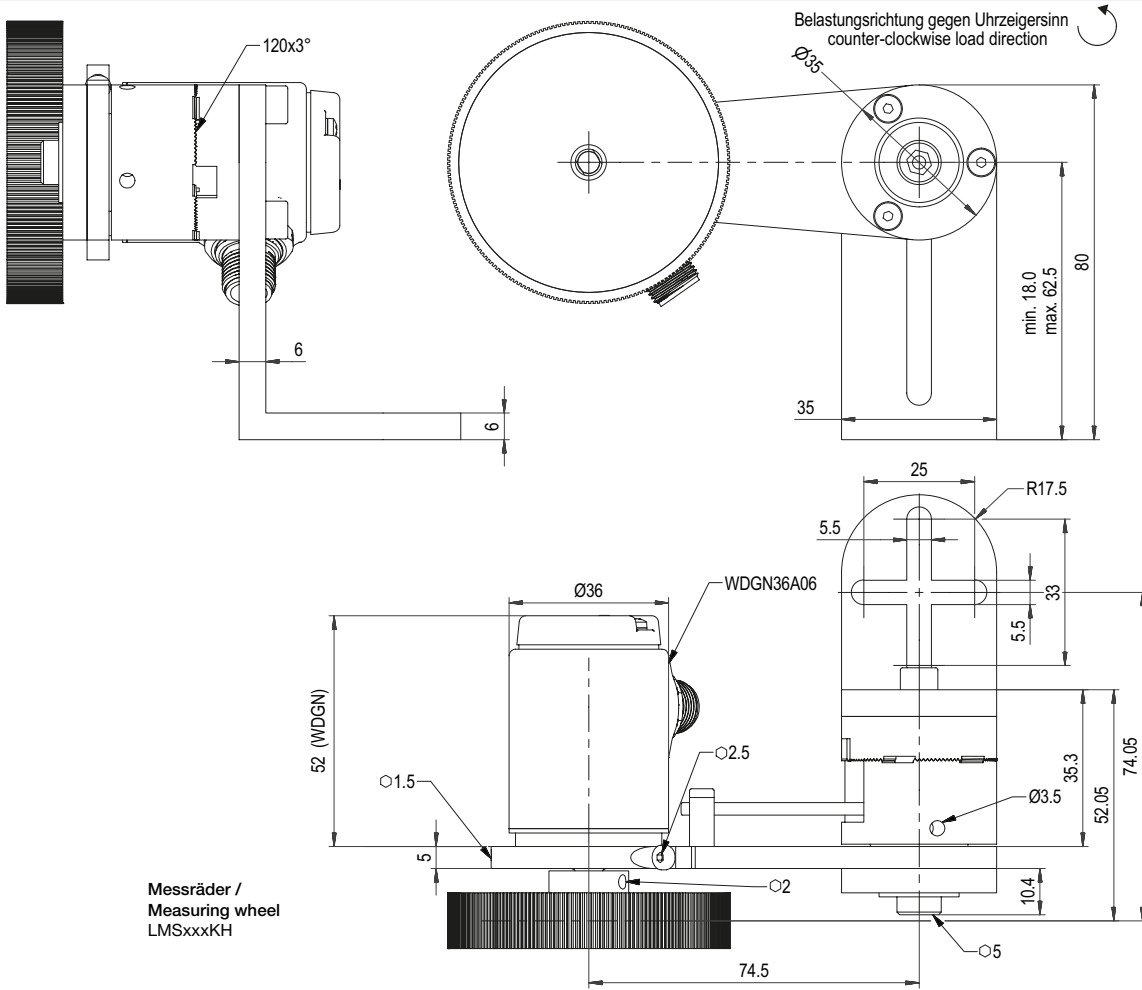
More information	
General technical data and safety incremental encoders www.wachendorff-automation.com/gtd	
Options www.wachendorff-automation.com/acc	

Customs tariff number: 90318020
Country of origin: Germany

Order No.:
LMSCA32WDGNBASKH

For further assistance please feel free to contact us. We would be happy to help you to find the measurement wheel, cable length or other accessory to optimize your application.

Sensor-connector (M12x1) SC, 8-pin



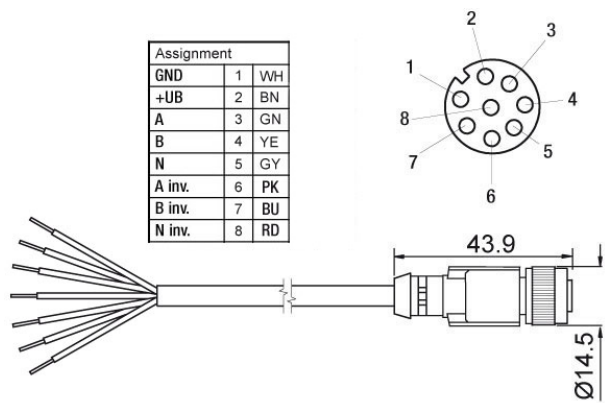
Description

SC8 radial, 8-pin, connector connected to encoder housing

Assignment	
	SC8
	8-pin
GND	1
+UB	2
A	3
B	4
N	5
A inv.	6
B inv.	7
N inv.	8
Shield	-

Description

KI-8-67-02-S Accessory female connector with cable (2 m)



WACHENDORFF

Wachendorff Automation GmbH & Co. KG
Industriestrasse 7 • D-65366 Geisenheim

Tel.: +49 (0) 67 22 / 99 65 - 25
Fax: +49 (0) 67 22 / 99 65 - 70
E-Mail: wdg@wachendorff.de
www.wachendorff-automation.com

